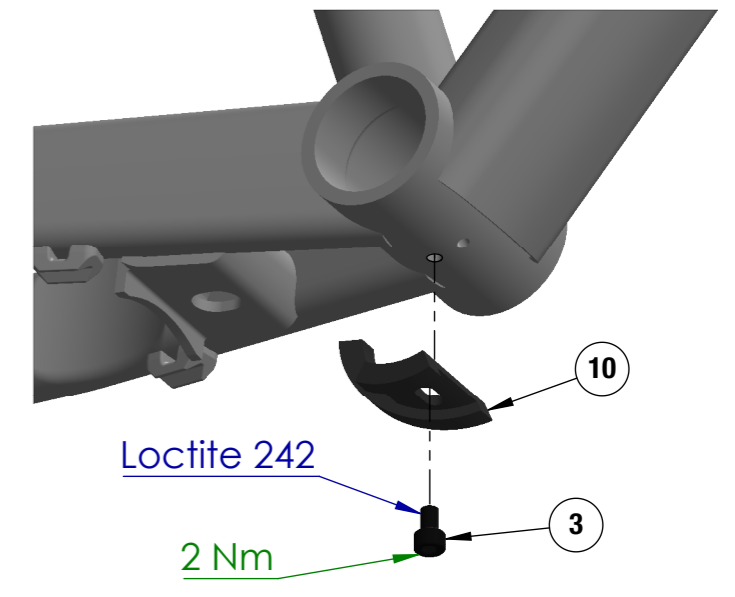
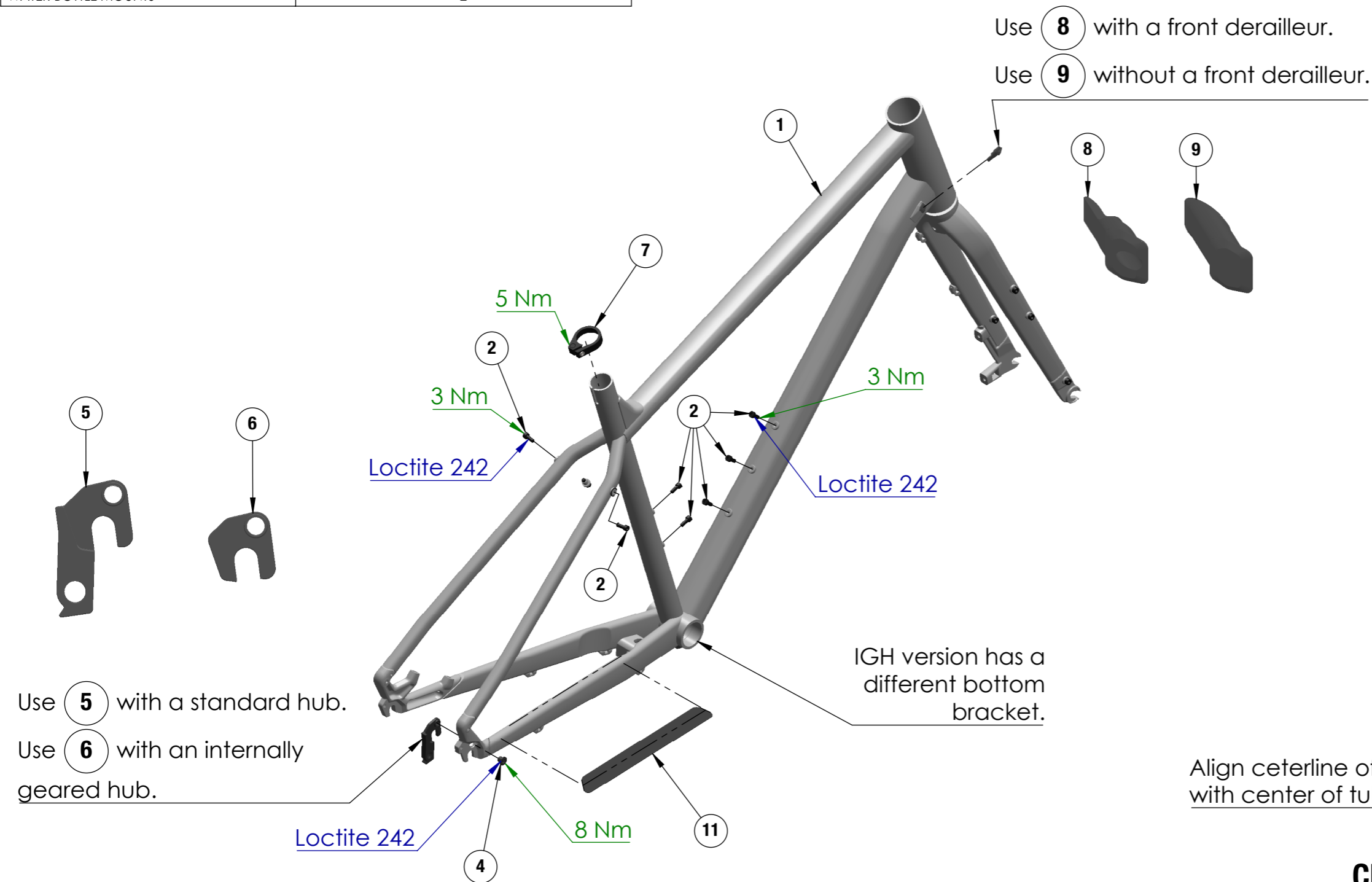
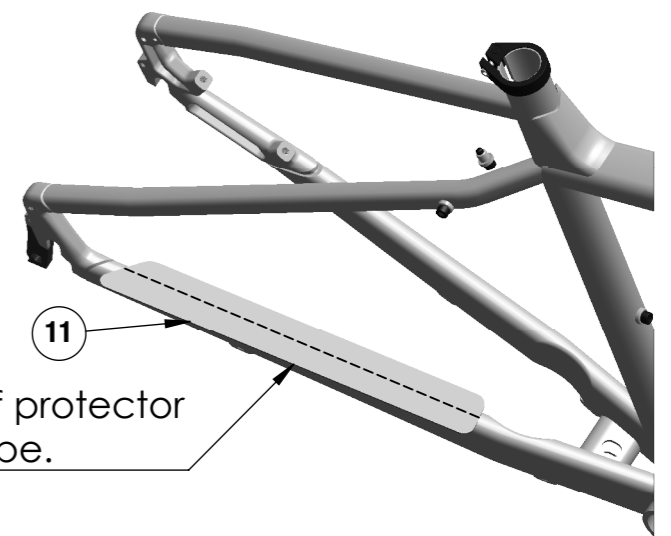


ADDITIONAL FRAME INFORMATION	
AVAILABLE FRAME SIZES	XS, S, M, L, XL
S.H.I.S.	ZS44/28.6   ZS44/30
MAX. FORK LENGTH, OFFSET [mm]	415, 50
BB TYPE, WIDTH [mm]	BSA THREADED, 68
MAX CHAINRING SIZE [1X   2X   3X]	42   48/32   48/38/28
OLD [mm]	135
REAR BRAKE MOUNT [mm]	160mm POST
SEATPOST DIAMETER [mm]	27.2
MAX TIRE SIZE	26"X2.1", 650B X 51mm, 700C X 40mm
FD TYPE	BAND CLAMP, LOW PULL
FD CLAMP SIZE [mm]	30.8
REAR AXLE TYPE	135mm QR HUB
WATER BOTTLE MOUNTS	2

ITEM NO.	SERVICE PART NUMBER	QTY.	DESCRIPTION	MATERIAL
1	CONTACT CUSTOMER SERVICE	1	FR ASSY, INDIE, MY20	6061-T6
2	913400-021	16	M5X12MM SOCKET HEAD CAP SCREW	STEEL, BLACK CHROMATE
3	913400-028	1	M5X8MM SOCKET HEAD CAP SCREW	STEEL, BLACK CHROMATE
4	913010-002 KIT	1	CHAINRING BOLT, 6mm LONG	STEEL
5		1	DERAILLEUR HANGER, NORCO QR FRAMES, MY20	7075-T6
6	913000-002	1	IGH HANGER, NORCO QR FRAMES, MY20	7075-T6
7	CONTACT CUSTOMER SERVICE	1	31.8mm SEAT POST CLAMP	6061-T6
8	914100-034	1	GIZMO3S, GROMMET, CABLE STOP	NYLON
9	914100-035	1	GIZMO3S, GROMMET, BLANK	EPDM RUBBER
10	914300-003	1	UNDER BB CABLE GUIDE	PLASTIC
11	915200-025	1	CS PROTECTOR, INDIE MY20	POLYURETHANE

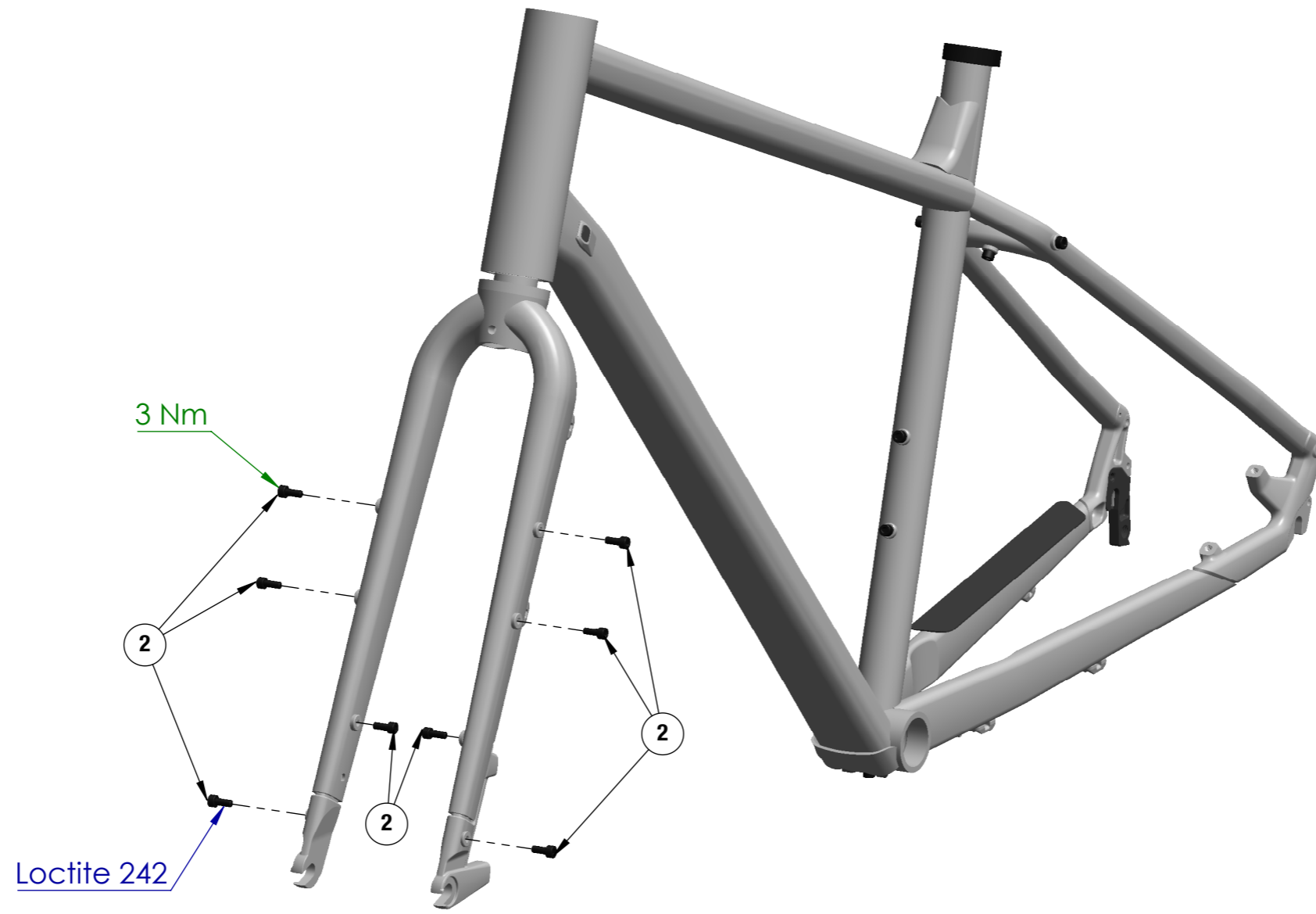


## BOTTOM BRACKET CABLE GUIDE



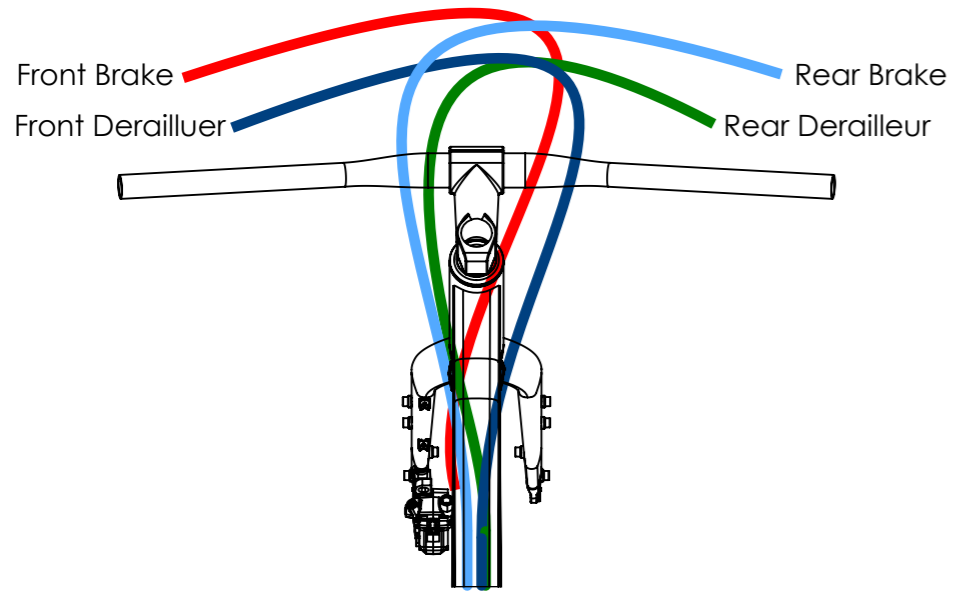
## CHAIN STAY PROTECTOR ALIGNMENT

FORK FITTINGS

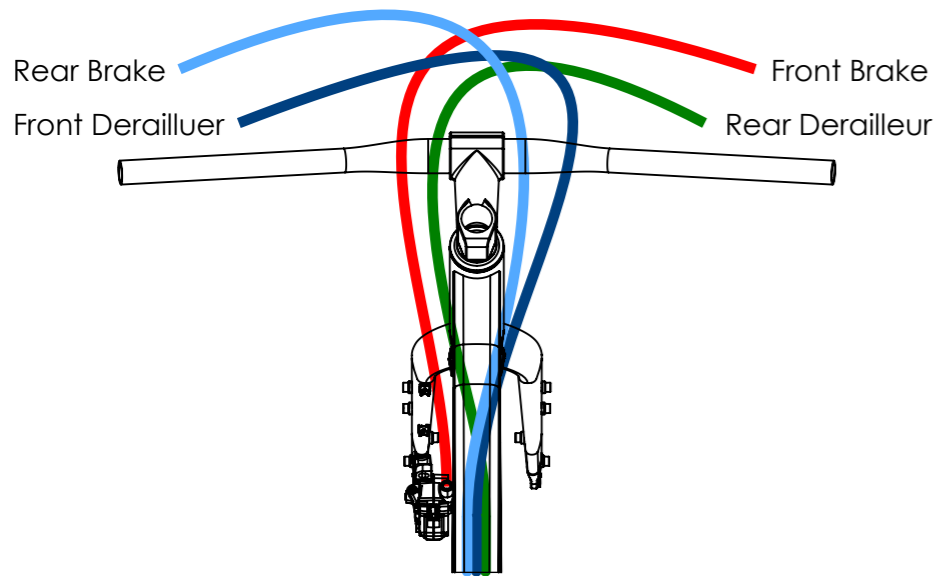


FORK RACK AND FENDER MOUNTING BOLTS

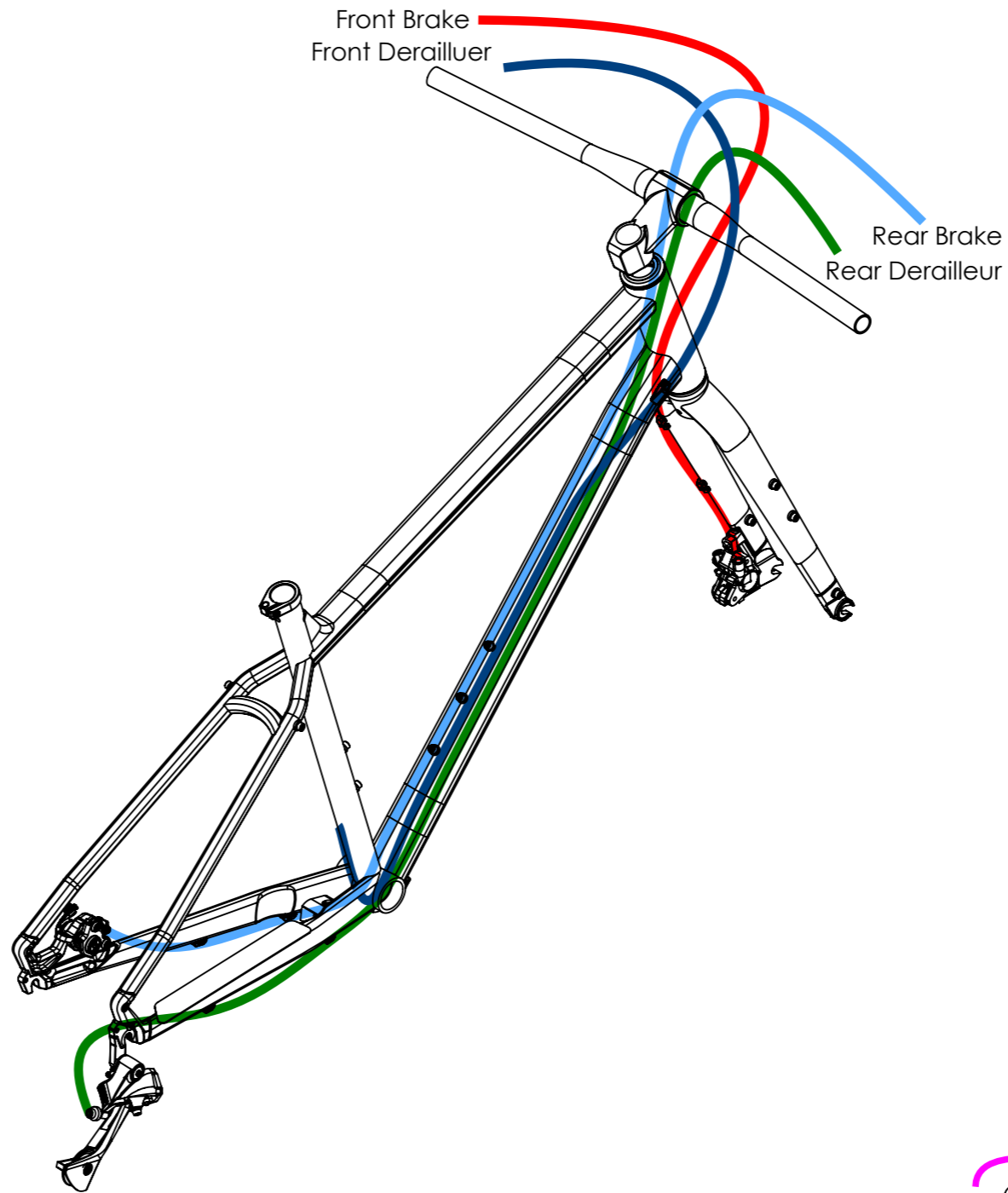
CABLE ROUTING



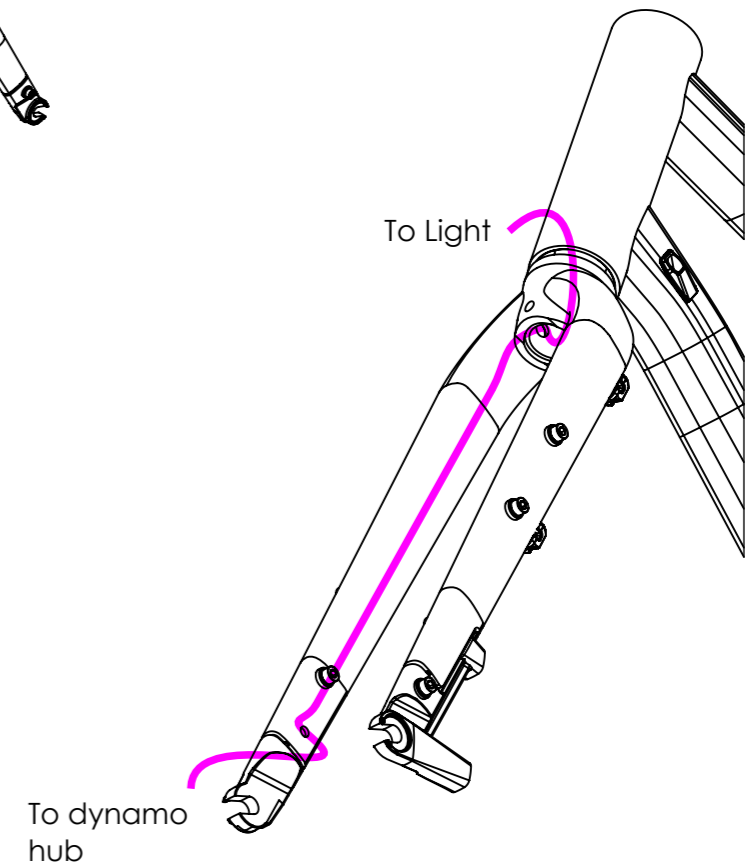
STANDARD LAYOUT



SELECT INTERNATIONAL LAYOUT



STANDARD LAYOUT  
ISOMETRIC VIEW



DYNAMO HUB CABLE ROUTING