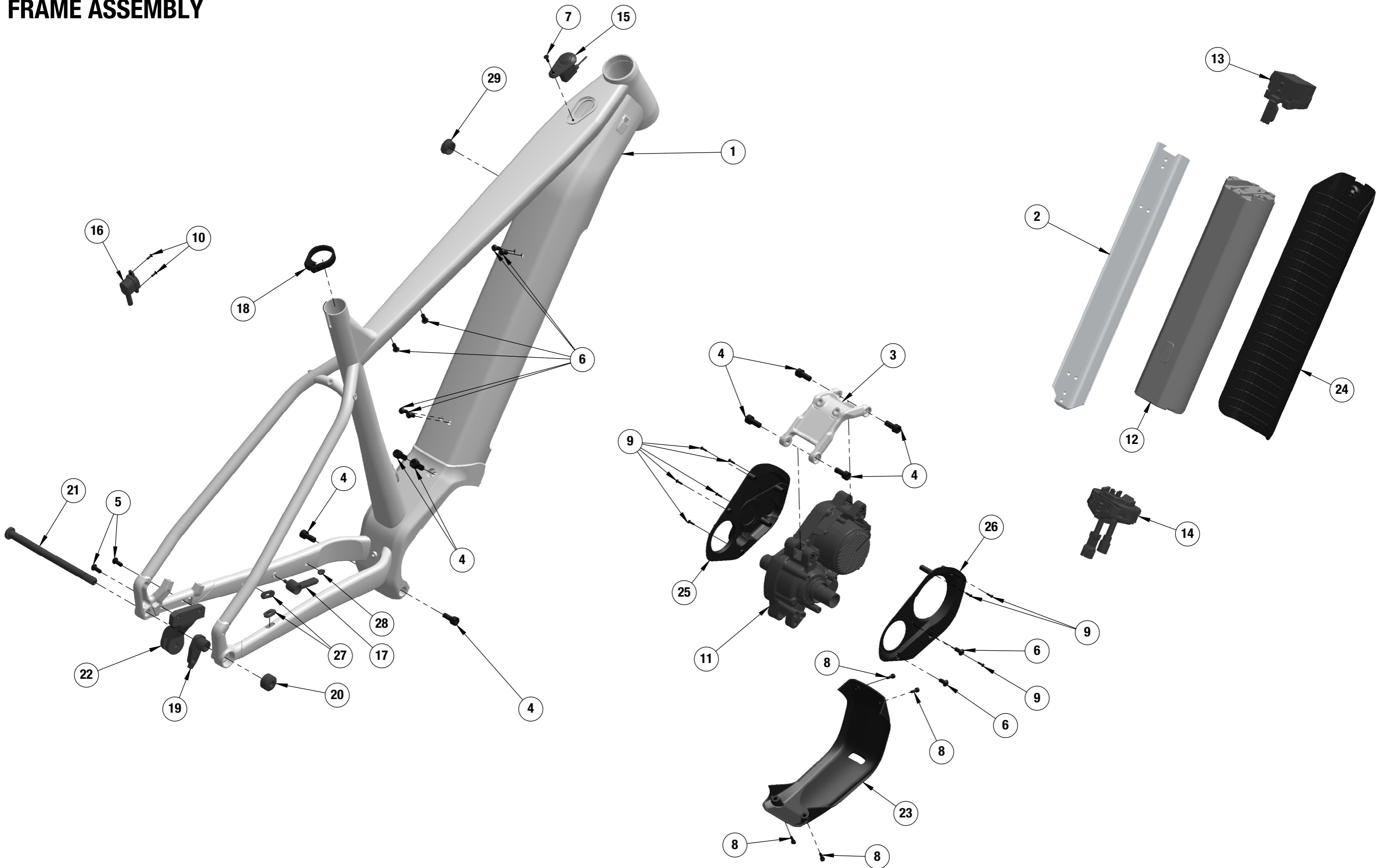


FRAME ASSEMBLY



ADDITIONAL FRAME INFORMATION	
AVAILABLE FRAME SIZES	S, M, L, XL
WHEEL SIZE	29"
S.H.I.S.	ZS44/28.6 ZS56/40
MAX. FORK LENGTH [mm]	537
BB TYPE, WIDTH [mm]	SHIMANO STEPS
MAX CHAINRING SIZE	34
OLD [mm]	148
REAR BRAKE MOUNT [mm]	160, POST
SEATPOST DIAMETER [mm]	31.6
RECOMMENDED TIRE SIZE [IN.]	29" X 2.2" - 2.6"
REAR AXLE TYPE	TA 12mm L174/TL18/M12X1.75

ITEM NO.	SUPPORT PART NUMBER	QTY.	DESCRIPTION	MATERIAL
1	CONTACT CUSTOMER SERVICE	1	FR ASSY, CHARGER VLT, MY20	6061-T6
2	915700-016	1	INTERNAL BATTERY MOUNT, CHARGER VLT, MY20	6061-T6
3	915802-008	1	DRIVE UNIT MOUNT, CHARGER VLT, MY20	6061-T6
4	913400-016	8	M8X18MM SOCKET HEAD CAP SCREW	STEEL, BLACK CHROMATE
5	913400-049	2	M6X14MM BUTTON HEAD CAP SCREW	STEEL, BLACK CHROMATE
6	913400-016	8	M6X12MM BUTTON HEAD CAP SCREW	STEEL, BLACK CHROMATE
7	913400-046	1	M4X12MM COUNTERSUNK SOCKET HEAD CAP	STEEL, BLACK CHROMATE
8	913400-047	4	M4X10MM SOCKET HEAD CAP SCREW	STEEL, BLACK CHROMATE
9	913400-029	8	M3X10MM BUTTON HEAD CAP SCREW	STEEL, BLACK CHROMATE
10	913400-022	2	M3X8MM COUNTERSUNK SOCKET HEAD CAP SCREW	STEEL, BLACK CHROMATE
11	CONTACT SHIMANO	1	SHIMANO, DU-E7000, DRIVE UNIT	ASSEMBLY
12	CONTACT SHIMANO	1	SHIMANO, BT-E8035, BATTERY	ASSEMBLY
13	CONTACT SHIMANO	1	SHIMANO BM-E8030-A, UPPER BM ASSY	ASSEMBLY
14	CONTACT SHIMANO	1	SHIMANO BM-E8030-A, LOWER BM ASSY	ASSEMBLY
15	CONTACT SHIMANO	1	SHIMANO, EW-SW100, POWER SWITCH	ASSEMBLY
16	CONTACT SHIMANO	1	SHIMANO EW-CP100, SATELLITE CHARGING PORT	ASSEMBLY
17	CONTACT SHIMANO	1	SHIMANO, SM-DUE10, SPEED SENSOR	ASSEMBLY
18	GENERIC CLAMP	1	35mm SEAT POST CLAMP	6061-T6
19	913015-001-2	1	RD HANGER, TWO PIECE, M12X1.75 HANGER	7075-T6
20	913020-002	1	RD HANGER, TWO PIECE, M18X1 NUT, HEX8	7075-T6
21	913105-002	1	AXLE, TA 12mm L174/TL18MM/M12X1.75	7075-T6
22	919006-001	1	REAR KICKSTAND MOUNT	PLASTIC
23	915500-016	1	DRIVE UNIT GUARD, CHARGER VLT, MY20	PLASTIC
24	915500-015	1	DOWN TUBE BATTERY COVER, CHARGER VLT, MY20	PLASTIC
25	915500-019	1	LH DRIVE UNIT COVER, CHARGER VLT, MY20	PLASTIC
26	915500-018	1	RH DRIVE UNIT COVER, CHARGER VLT, MY20	PLASTIC
27	914100-043	2	CABLE SLOT GROMMET 18X8MM	EPDM RUBBER
28	914100-044	1	CABLE EXIT GROMMET, D3.2MM	EPDM RUBBER
29	914300-004	1	BATTERY MOUNT KEY GROMMET	EPDM RUBBER

